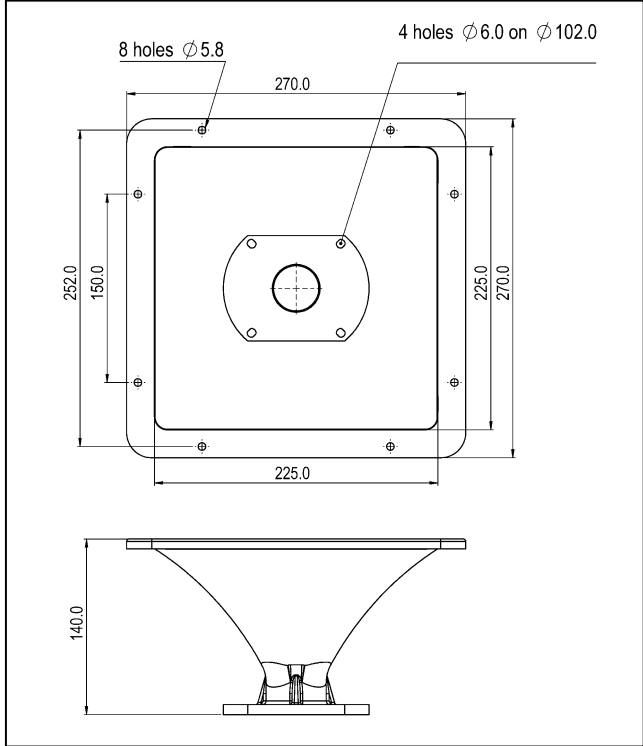
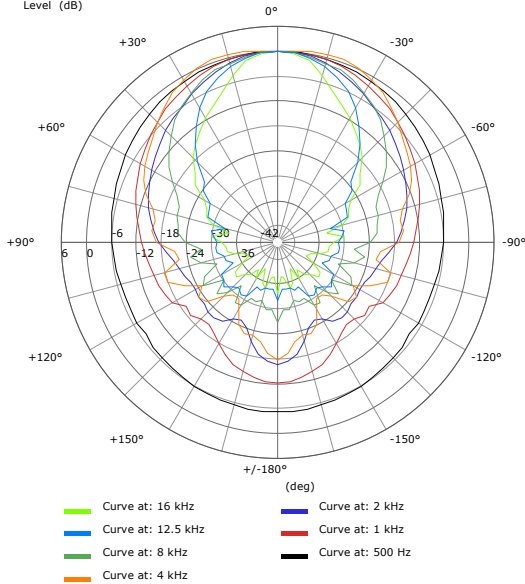


SPECIFICATIONS	
Throat Diameter .....	35.5 mm (1.4")
Cutoff Frequency .....	0.9 kHz
Net Weightl.....	0.73 Kg
Horizontal coverage .....	80°
Vertical coverage .....	80°
Material .....	Plastic
Shape.....	Square
MOUNTING INFORMATION	
Overall Dimensions .....	270x270x140 mm
Baffle Cutout Dimensions.....	Φ225x225 mm
Mounting Holes.....	8 holes Φ5.8 mm
NOTE	



Q07035A - Polar Pattern  
Level (dB)



Q07035A - Directivity  
(deg) Polar angle

